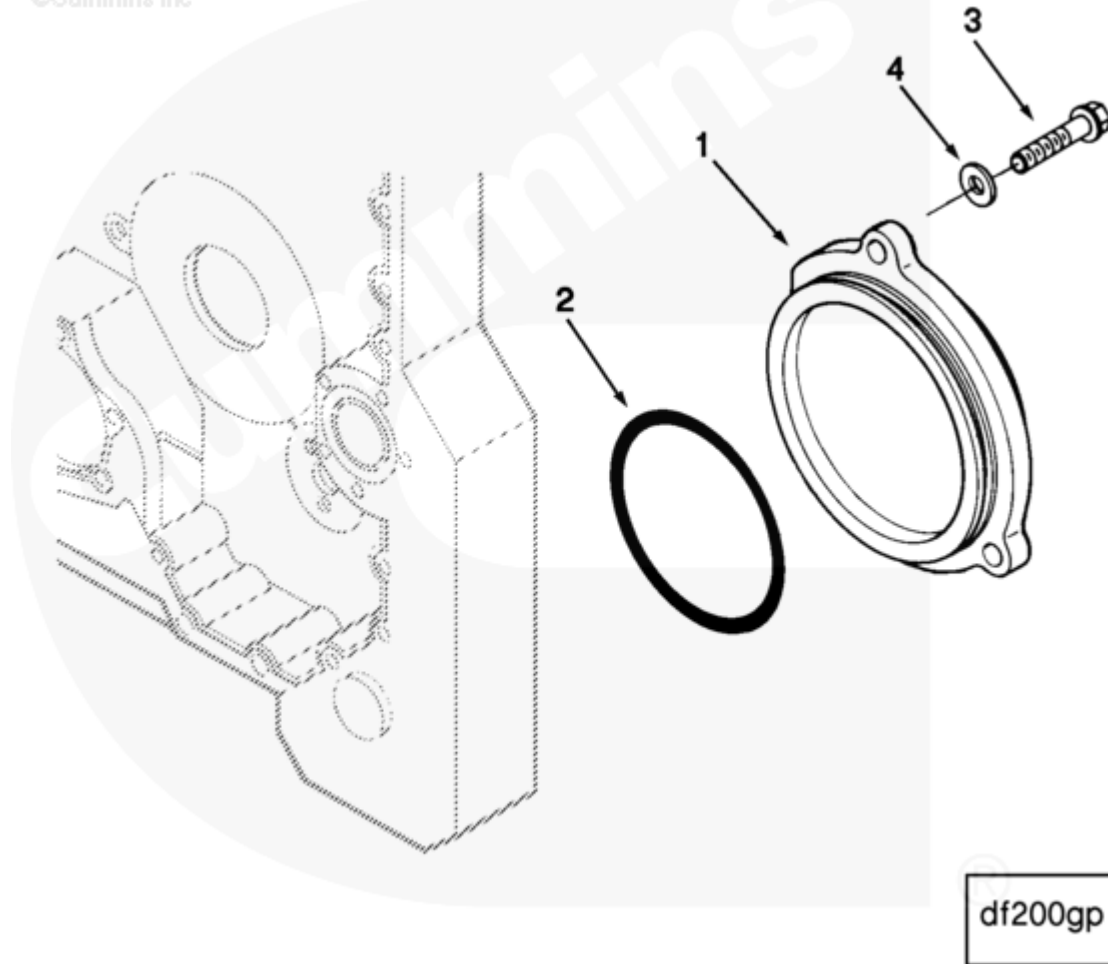




Parts Catalog - Option Detail

Electronic Parts Catalog - Option Detail				
Option	Group	Graphic	Film Card	Date
DF2036-02	09.04	df200gp	II	28-MAY-08
Engines	ISM CM570, ISM CM570/870, ISM CM875, ISM CM876, ISM CM876 E, ISM11 CM876 M103, ISM11 CM876 SN, M11 CELECT, M11 CELECT PLUS, M11 MECHANICAL, QSM11 CM570, QSM11 CM876			

©Cummins Inc



[SMALL](#) | [MEDIUM](#) | [LARGE](#)

Cart	Ref No	Part Number	Part Description	Required	Remarks
<input type="button" value="View My Cart"/>					
		DF2036-02	Front Gear Train		MR - TRAIN, FRONT GEAR...(More)
					Engine Family: M11
					Front Gear Train Accessory
					Drive

					Adapter Flange Size: No
					Future Adaptation
					This Option Does Not Supply
					Hydraulic Pump Tail Support
<input type="checkbox"/>	1	3882680	Gear Housing Plug	1	
<input type="checkbox"/>	2	2863702	O-Ring Seal	1	
<input type="checkbox"/>	3	3819521	Hexagon Flange Head Cap Screw	3	M10 X 1.50 X 20.
<input type="checkbox"/>	4	108330	Plain Washer	3	3/8 in.

© 2019 Cummins Inc., Box 3005, Columbus, IN 47202-3005 U.S.A.
Terms of Use and Disclaimers | Recommended System Requirements
Need Assistance? Please click on the Contact Us button in the top right corner of any page.